

Solid State Relays SOLITRON MINI - With Integrated Heatsink Type RJ2A

CARLO GAVAZZI



- AC semiconductor contactor
- Two pole switching with common control input
- Direct copper bonding (DCB) technology
- LED-indication
- Self-lifting power terminals
- Operational ratings : Up to 2 x 18AACrms and 480VAC
- Non-repetitive voltage: Up to 1200V_p
- Opto-isolation > 4000VACrms

Product Description

The SOLITRON RJ2A MINI is a two pole Solid State Contactor designed to replace electro-mechanical contactors in industrial heating and motor applications, especially when switching is frequent. The two switching poles in the RJ2A MINI are simultaneously activated upon application of the control voltage. A Green LED indicates the status of the control input.

The relay will switch on when the sinusoidal curve crosses zero and switches off when the current crosses zero. Two 2.5mm² cables can be con-

nected in each screw terminal to allow looping. A removable IP20 cover allows connection of a 4mm² cable with crimped terminal. The control voltage is supplied via a screw plug-in connector on the front of the device.

The product is ready to mount on DIN-Rail or chassis and comes with integral heatsink. The heatsink is moved to the back for optimal space saving in the panel and easy wire mounting at the front of the relay. The standard housing dimensions enable installation in limited space.

Ordering Key

RJ 2 A 48 D 12 E

Solid State Relay

Number of poles

Switching mode

Rated operational voltage

Control voltage

Rated operational current

Terminal layout

Type Selection

Switching mode	Rated operational voltage	Control voltage	Rated operational current	Terminal layout
A: Zero switching	22: 220VACrms 48: 480VACrms	D: 4 - 32VDC	12: 2 x 12AACrms 18: 2 x 18AACrms	E: Contactor

Selection Guide

Rated operational voltage	Non-rep. voltage	Control voltage	Rated operational current	
			2 x 12A	2 x 18A
220VACrms	650V _p	4 - 32VDC	RJ2A22D12E	RJ2A22D18E
480VACrms	1200V _p	4 - 32VDC	RJ2A48D12E	RJ2A48D18E

General Specifications

	RJ2A22...	RJ2A48...
Operational voltage range	24 to 280VAC	42 to 530VAC
Non-rep. peak voltage	650V _p	1200V _p
Operational frequency range	45 to 65Hz	45 to 65Hz
Power factor	≥ 0.5 @ 220VACrms	≥ 0.5 @ 480VACrms
Approvals	UL, cUL	UL, cUL
CE-marking	Yes	Yes
Pollution degree	2	2

Output Specifications

	RJ2A...12	RJ2A...18
Rated operational current AC51 @Ta=25°C AC53a @Ta=25°C	2 x 12AACrms 2 x 5AACrms	2 x 18AACrms 2 x 15AACrms
Min. operational current	350mAACrms	150mAACrms
Rep. overload current t = 1s	< 35AACrms	<125AACrms
Non rep. surge current Tj(init.) = 25°C and t = 10 ms	300A _p	580A _p
Off-state leakage current @ rated voltage and frequency	< 3mArms	< 3mArms
I ² t for fusing t = 1-10 ms	450A ² s	1680A ² s
On-state voltage drop @ rated current	1.6Vrms	1.6Vrms
Critical dV/dt off-state	500V/μs	500V/μs

Input Specifications

Control voltage range	4 - 32VDC
Pick-up voltage	3.8VDC
Reverse voltage	32VDC
Drop-out voltage	1.2VDC
Max. input current	24mA
Response time pick-up	≤ 1/2 cycle
Response time drop-out	≤ 1/2 cycle

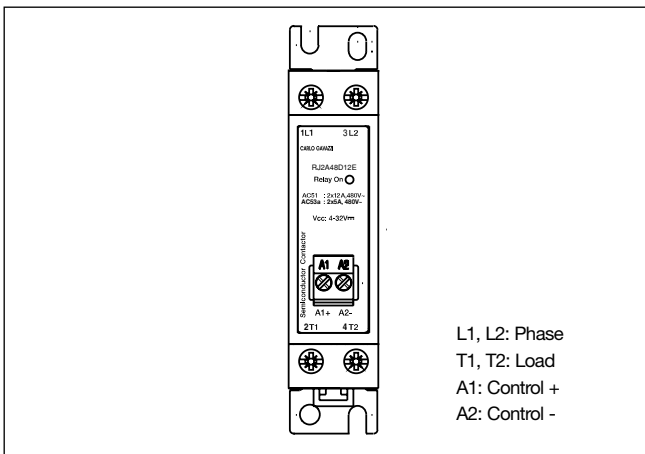
Thermal Specifications

Operating temperature	-30 to +70°C (-22 to +158°F)
Storage temperature	-40 to +100°C (-40 to +212°F)

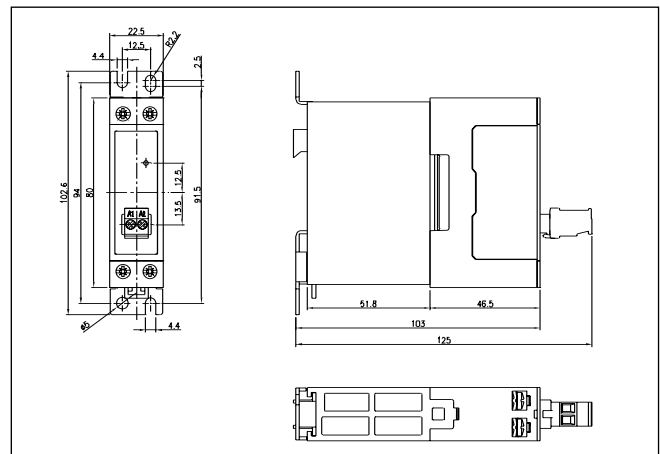
Insulation

Rated insulation voltage	
Input to output	≥ 4000 VACrms
Output to case	≥ 4000 VACrms

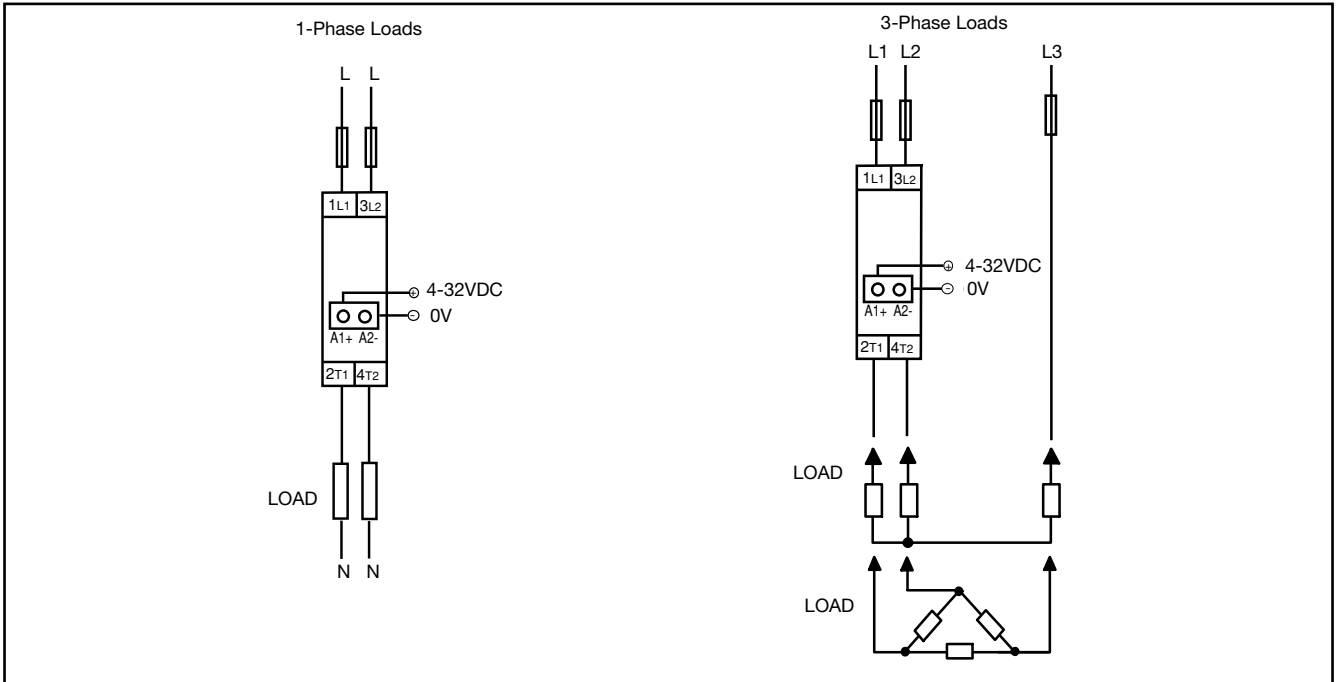
Terminal Layout



Dimensions

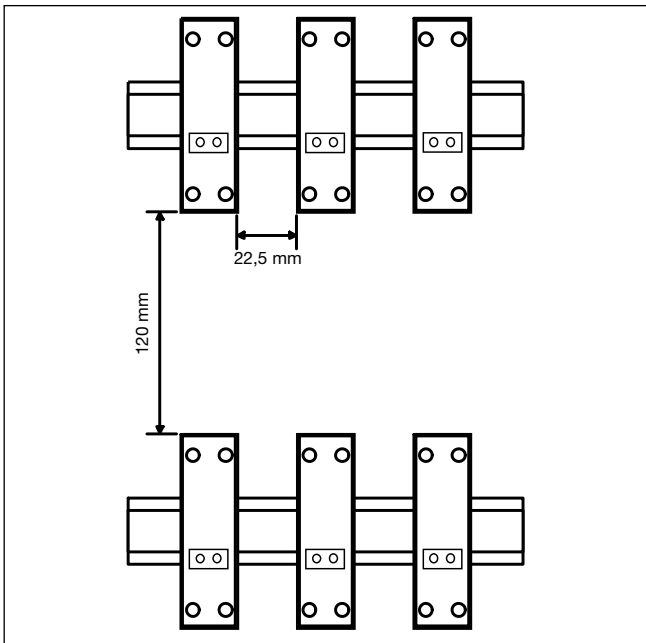


Connection Example



Note: Application of control voltage to terminals A1 - A2 will activate both poles simultaneously.

Panel Mounting



Housing Specifications

Weight	Approx. 300g
Housing material	PBT Flame retardant
Control terminal	
Terminal screws	M3
Max. terminal tightening torque	0.8Nm with Philips bit
Min. cross-sectional area of cable (stranded)	1 x 0.05mm ² (1 x AWG30)
Max. cross-sectional area of cable (stranded)	1 x 2.5mm ² (1 x AWG12) or 2 x 1.5mm ² (2 x AWG16)
Power terminal	
Terminal screws	M4
Maximum tightening torque	2Nm with Posidriv 2 bit
Min. cross-sectional area of cable (stranded)	1 x 0.5mm ² (1 x AWG20)
Max. cross-sectional area of cable (stranded)	2 x 2.5mm ² (2 x AWG14)
Max. cross-sectional area of cable with crimped terminal	1 x 4.0mm ² (1 x AWG12)